

Swivel and tilt wall mount L

(VESA MIS-E)

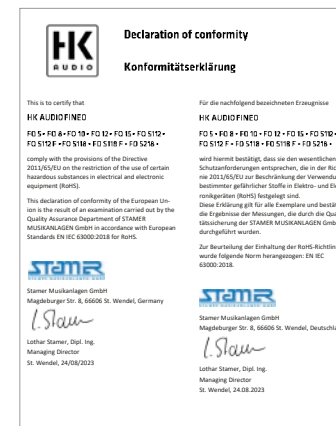
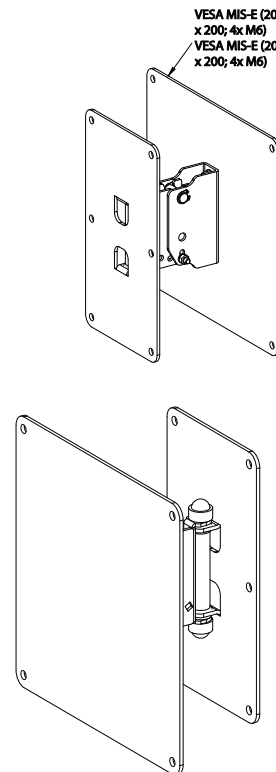
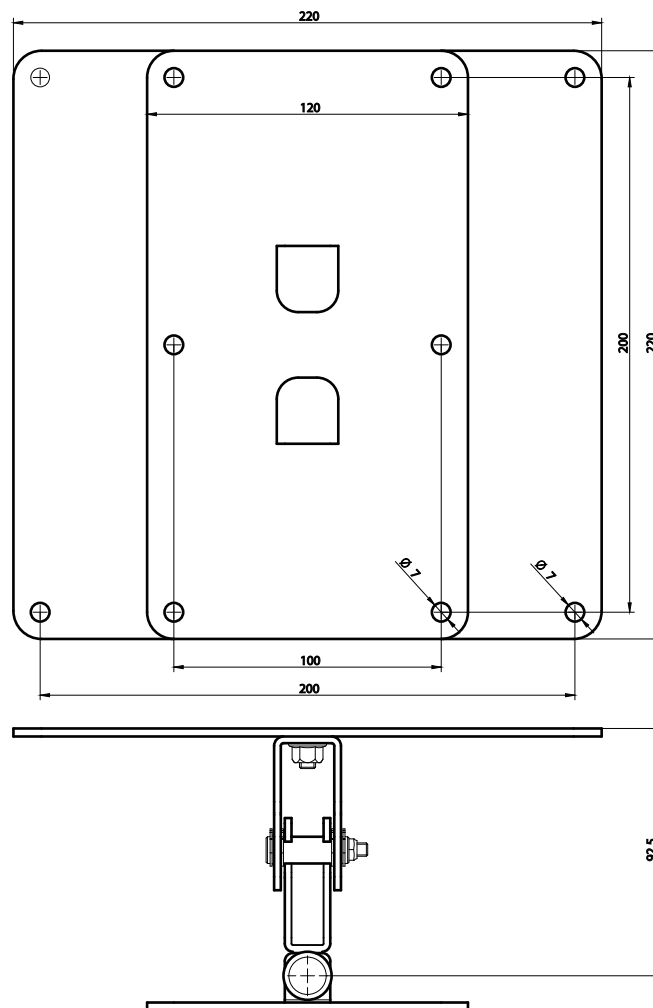
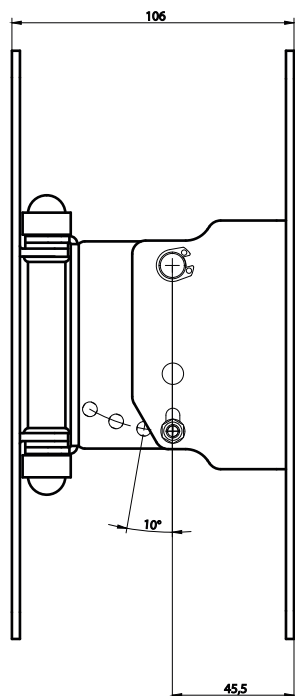
Article number: : (black) 1008079, (white/RAL*) 1008080

The swivel and tilt wall bracket L is used to mount a FO 12 or FO 15 speaker on a wall. The bracket allows the speaker to be rotated continuously horizontally and tilted vertically in 10° increments from 0° to 30°.

The swivel and tilt wall mount L is attached via the VESA hole pattern (MIS-E) on the back of the cabinet.



Swivel and tilt wall mount L



HK Audio
Postfach 1509
66595 St. Wendel, Germany

info@hkaudio.com
fax +49-68 51-905 215
www.hkaudio.com
D-3296